

Coaxial Straight Flange Connector: T-P245-21QA

Description

TNC Straight panel receptacle jack (female), flange mount

Interface standards

MIL-C-39012

Technical Data

Electrical Data

Impedance	50 Ω
Interface frequency max.	11 GHz
VSWR	$1.05+0.03 \times f$ (GHz) max
Voltage rating	1000 V(rms)
Test voltage	1500 V(rms)
Contact resistance:	
Center conductor	$\leq 1.0\text{m} \Omega$
Out conductor	$\leq 0.2\text{m} \Omega$
Insulation resistance	$\geq 5000\text{M} \Omega$

Mechanical Data

Weight	12 g
Durability	500 Cycles

Environmental Data

Operating Temperature	-40 °C to 85 °C
-----------------------	-----------------

Material Data

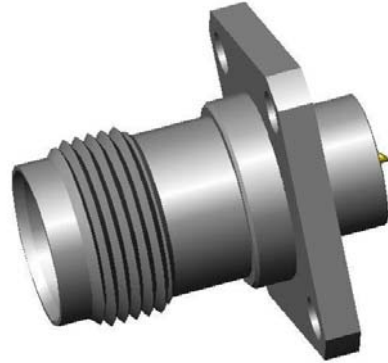
Piece Parts

Center contact	Beryllium copper
Body	Stainless steel (0Cr18Ni10Ti)
Insulator	PTFE

Material

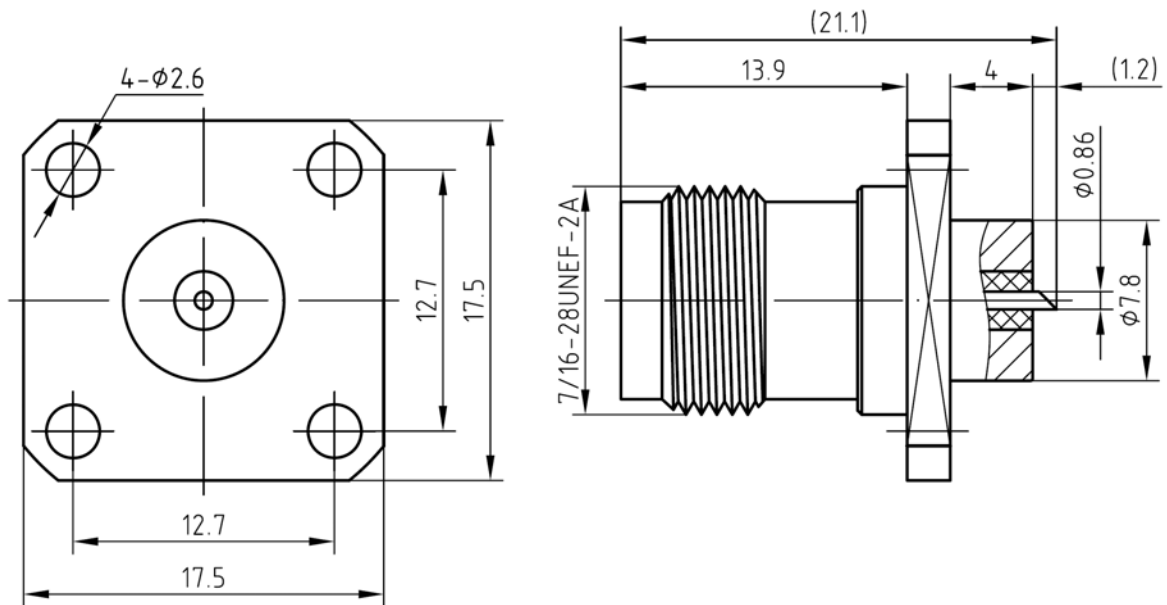
Surface Plating(μm)

Gold 1.27 over Nickel 3.0
Passivated



Coaxial Straight Flange Connector: T-P245-21QA

Outline drawing



Packaging

Standard

50/Box=5 Bag

Other

Contact us