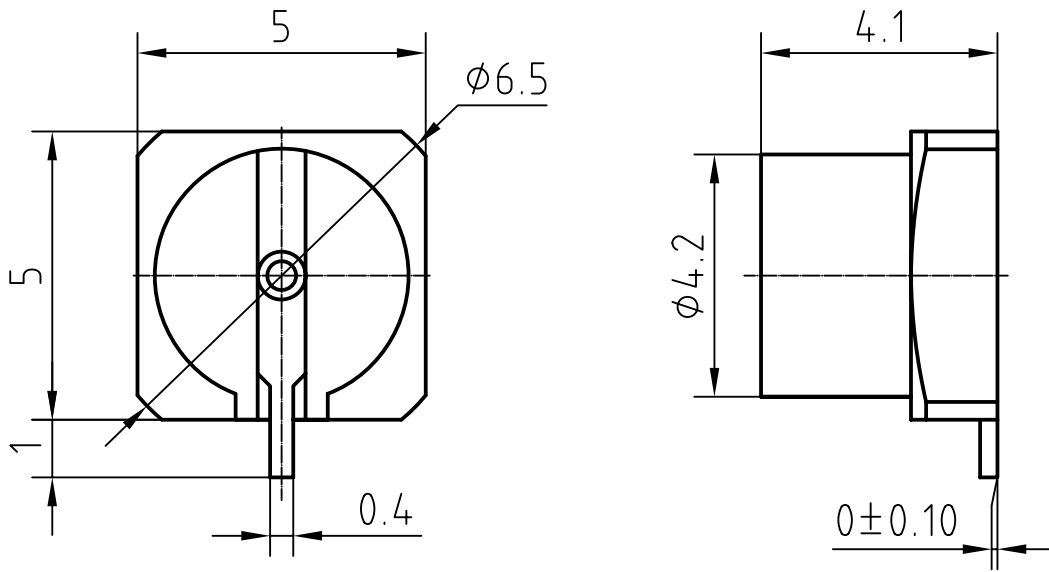
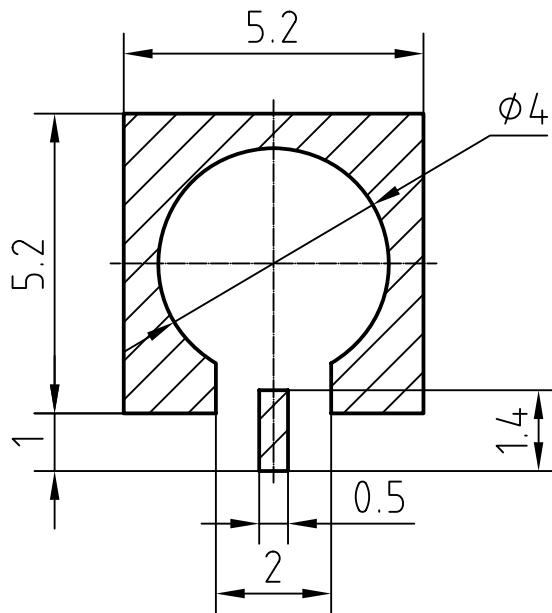


DRAWING



MOUNTING HOLE



3	1	Body	Brass/Gold plated
2	1	Insulator	PPS
1	1	Center contact	Brass/Gold plated

Designed by	Checked by	Approved by - date	File name	Date	Scale
			S3-P115-2QA		
				Edition	Sheet

# CHARACTERISTICS

## DESCRIPTION:

SMP Type male connector for PCB (limited detent )

### Electrical data:

<i>Impedance:</i>	50 ohm
<i>Frequency range:</i>	DC to 26.5 GHz
<i>VSWR:</i>	$\leq 1.05 + 0.015Xf[\text{GHz}]$
<i>Insertion loss:</i>	$\leq 0.1X\sqrt{f[\text{GHz}]} \text{ dB}$
<i>Insulation resistance:</i>	$\geq 5000M\Omega$
<i>Test voltage:</i>	500 V rms
<i>Working voltage:</i>	335 V rms
<i>Contact resistance:</i>	
1). Centre contact:	6.0 m $\Omega$
2). Outer conductor:	2.0 m $\Omega$

### Environmental data:

<i>Temperature rating:</i>	-65 ° C to +165 ° C
<i>2002/95/EC (RoHS):</i>	Compliant

### Mechanical data:

#### *Mating cycles:*

- if mating part is smooth bore:	$\geq 1000$
- if mating part is limited detent:	$\geq 500$
- if mating part is full detent:	$\geq 100$
<i>Center contact captivation:</i>	$\geq 7 \text{ N(axial)}$

#### *Engagement force:*

- smooth bore:	$\leq 9 \text{ N.}$
- limited detent:	$\leq 45 \text{ N.}$
- full detent:	$\leq 68 \text{ N.}$

#### *Disengagement force:*

- smooth bore:	$\geq 2.2 \text{ N.}$
- limited detent:	$\geq 9 \text{ N.}$
- full detent:	$\geq 22 \text{ N.}$

### Suitable cables:

N/A