

Coaxial Straight PCB Connector: S-P1152-5QA

Description

Edge mount straight PCB plug

Interface standards

MIL-C-39012

Technical Data

Electrical Data

Impedance	50 Ω
Interface frequency max.	18 GHz
VSWR	1.05+0.02×f(GHz) max
Voltage rating	500 V(rms)
Test voltage	1000 V(rms)
Contact resistance:	
Center conductor	≤3m Ω
Out conductor	≤2m Ω
Insulation resistance	≥5000M Ω

Mechanical Data

Center contact retention	
Axial force – Mating end	27 N min
Axial force – Opposite end	27 N min
Torque	2.8 N.cm min
Weight	3.2 g
Durability	500 Cycles

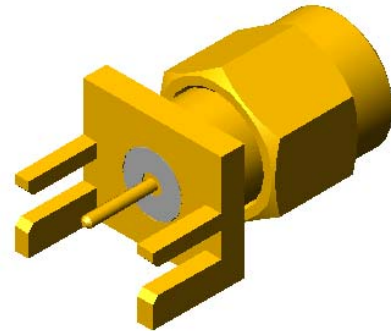
Environmental Data

Operating Temperature	-65 °C to 165 °C
-----------------------	------------------

Material Data

Piece Parts

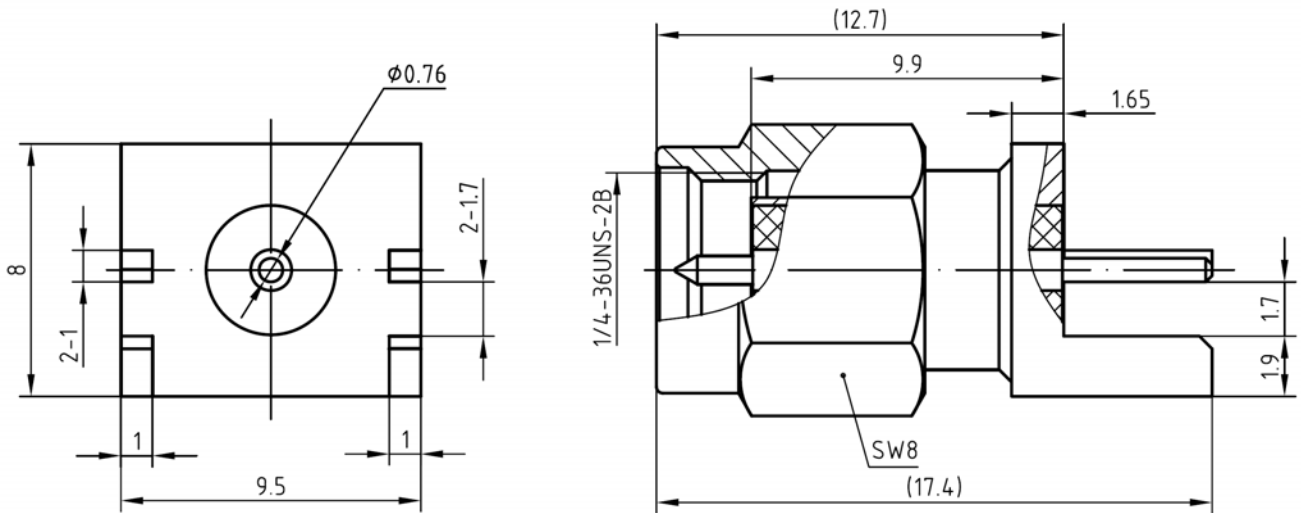
Body	Brass
Center contact	Brass
Coupling nut	Brass
Insulator	PTFE



Surface Plating(μ m)
Gold 0.25 over Nickel 2.0
Gold 1.27 over Nickel 2.0
Gold 0.25 over Nickel 2.0

Coaxial Straight PCB Connector: S-P1152-5QA

Outline drawing



Packaging

Standard

150/Box=15Bag

Other

Contact us