

## Coaxial Cable Connector: S-F145RQA

### Description

SMA Straight square flange jack solder type cable .141

### Interface standards

MIL-C-39012

### Technical Data

#### Electrical Data

Impedance	50 $\Omega$
Interface frequency max.	18 GHz
VSWR	$1.03+0.015 \times f(\text{GHz})$ max
Voltage rating	500 V(rms)
Test voltage	1000 V(rms)
Contact resistance:	
Center conductor	$\leq 3\text{m} \Omega$
Out conductor	$\leq 2\text{m} \Omega$
Insulation resistance	$\geq 5000\text{M} \Omega$

#### Mechanical Data

Weight	3.1 g
Durability	500 Cycles

#### Environmental Data

Operating Temperature	-65 °C to 165 °C
-----------------------	------------------

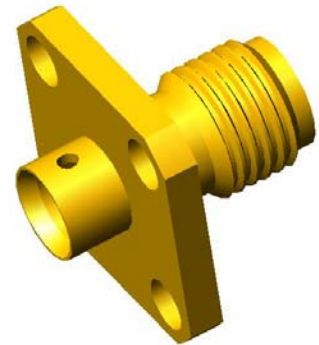
#### Material Data

##### Piece Parts

Center contact	Beryllium copper
Body	Brass
Insulator	PTFE

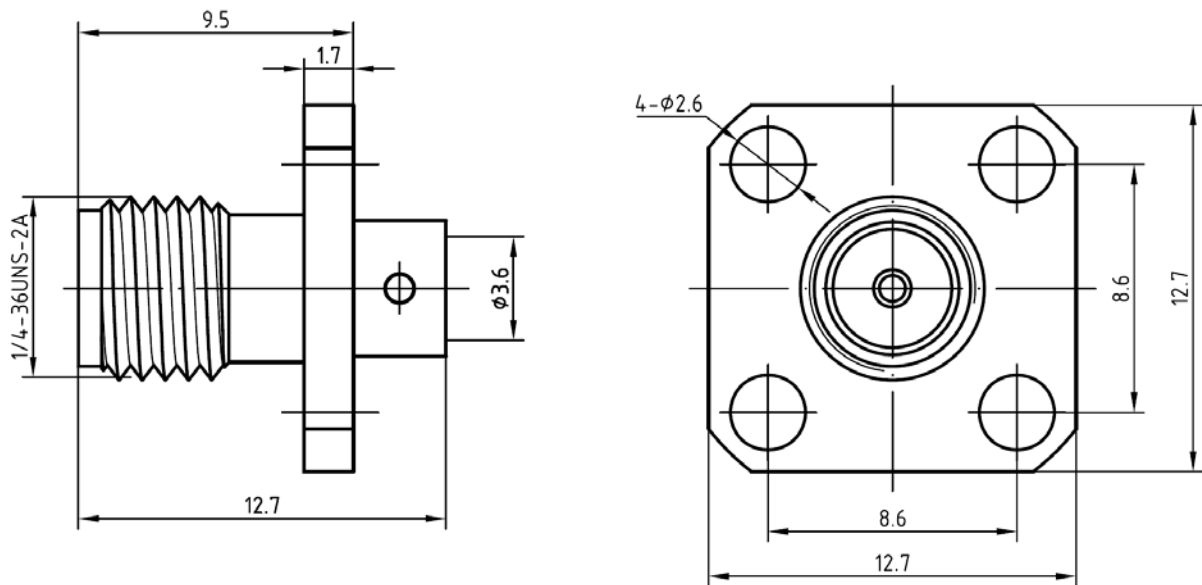
##### Surface Plating( $\mu\text{m}$ )

Gold 0.5 over Nickel 2.0
Gold 0.2 over Nickel 2.0



## Coaxial Cable Connector: S-F145RQA

### Outline drawing



### Packaging

Standard

100/Box=10 Bag

Other

Contact us