

Coaxial Right Angle PCB Connector: N-P225QA

Description

N Type Right Angle Bulkhead jack receptacle for PCB solder legs

Interface standards

MIL-C-39012

Technical Data

Electrical Data

Impedance	50 Ω
Interface frequency max.	8 GHz
VSWR	1.08+0.05 \times f (GHz) max
Voltage rating	1000 V(rms)
Test voltage	1500 V(rms)
Contact resistance:	
Center conductor	$\leq 1.0\text{m } \Omega$
Out conductor	$\leq 0.2\text{m } \Omega$
Insulation resistance	$\geq 5000\text{M } \Omega$

Mechanical Data

Weight	58.5 g
Durability	500 Cycles

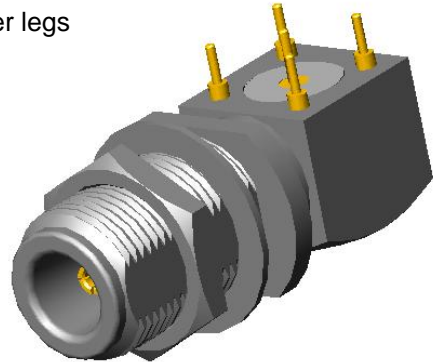
Environmental Data

Operating Temperature	-65 $^{\circ}\text{C}$ to 165 $^{\circ}\text{C}$
-----------------------	--

Material Data

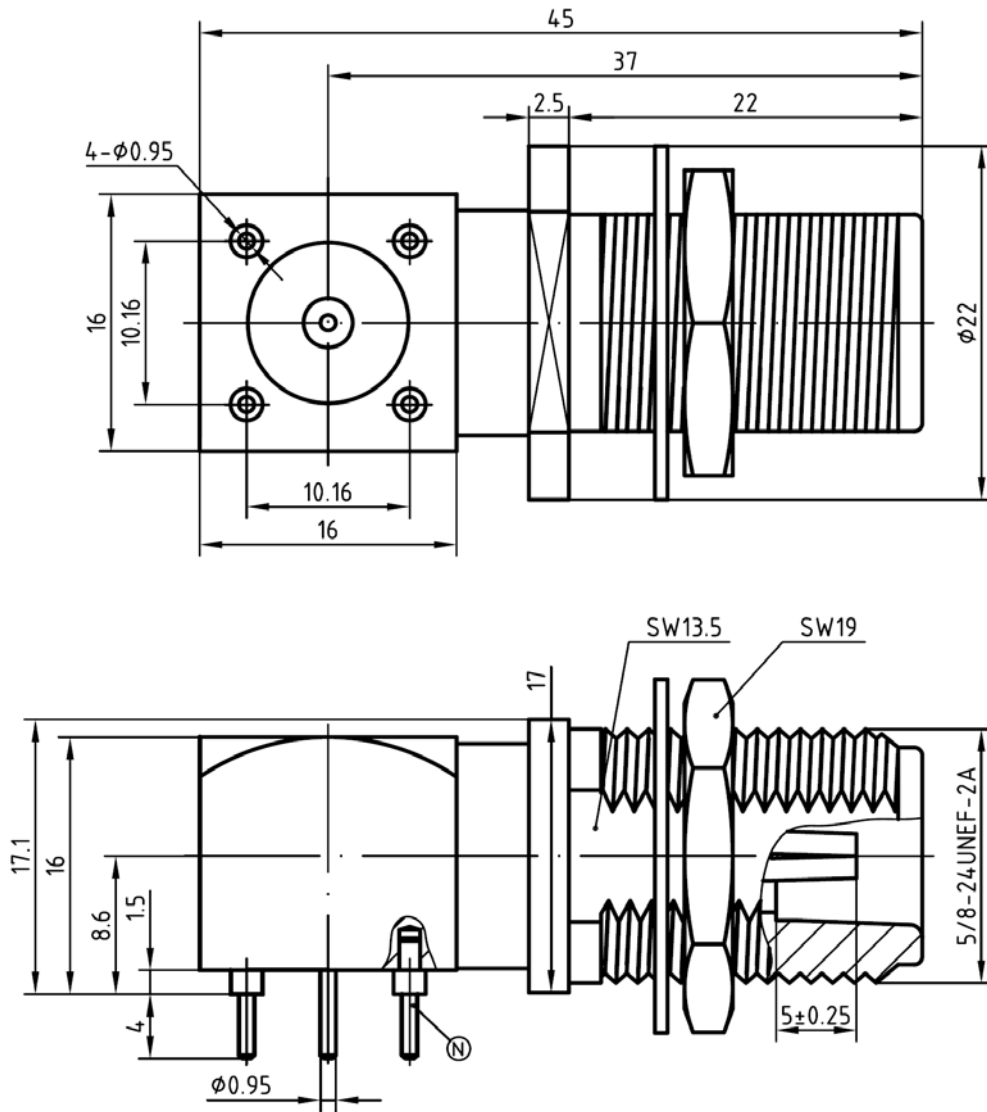
Piece Parts

	Material	Surface Plating(μm)
Center contact	Phosphor bronze	Gold 0.3 over Nickel 2.0
Outer contact	Brass	White copper 4.0 over copper 1.0
Nut and Gasket	Brass	White copper 4.0 over copper 1.0
Pin (solder –see (N))	Brass	Gold 0.2 over Nickel 2.0
Insulator	PTFE	



Coaxial Right Angle PCB Connector: N-P225QA

Outline drawing



Packaging

Standard

40/Box=4 Bag

Other

Contact us