

Coaxial Straight Panel Connector: N-2350-10RQA

Description

Straight panel receptacle jack (female), bulkhead mount

Interface standards

IEC 60169-16_MIL-STD-348A/304_CECC 22210

Technical Data

Electrical Data

Impedance	50 Ω
Interface frequency max.	11 GHz
Voltage rating	1000 V(rms)
Test voltage	1500 V(rms)
Contact resistance:	
Center conductor	$\leq 1\text{m } \Omega$
Out conductor	$\leq 0.2\text{m } \Omega$
Insulation resistance	$\geq 5000\text{M } \Omega$

Mechanical Data

Center contact retention	
Axial force – Mating end	27 N mini
Axial force – Opposite end	27 N mini
Torque	2.8 N.cm mini
Weight	0.035 kg
Durability	500 Cycles

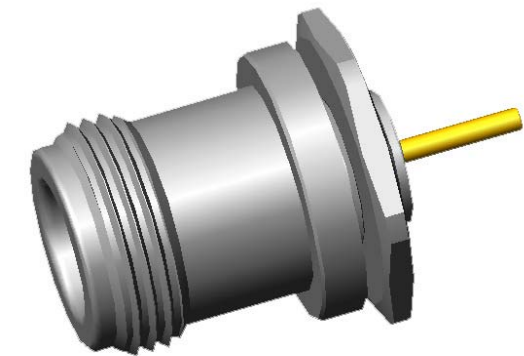
Environmental Data

Operating Temperature	-65 °C to 165 °C
-----------------------	------------------

Material Data

Piece Parts

Center contact	Phosphor bronze
Outer contact	Brass
Nut	Brass
Insulator	PTFE

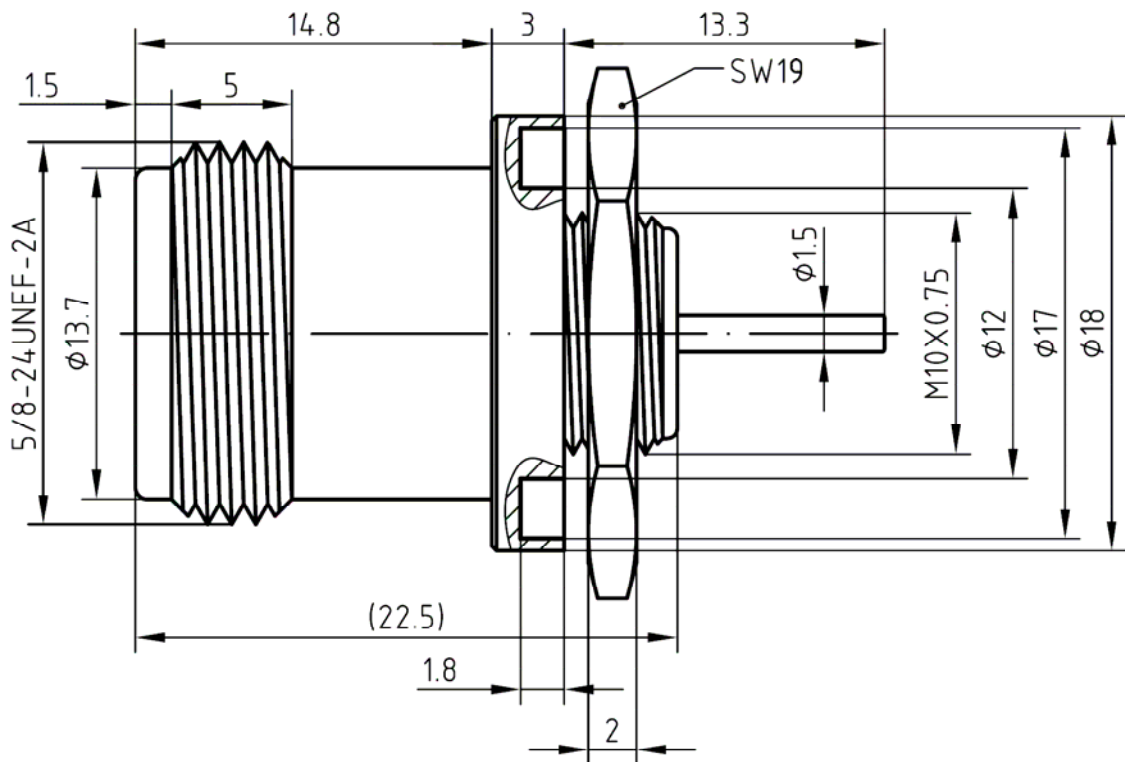


Surface Plating

Gold 0.5 μm over Nickel 2 μm
Nickel 5 μm over Copper 2 μm
Nickel 5 μm over Copper 2 μm

Coaxial Straight Panel Connector: N-2350-10RQA

Outline drawing



Packaging

Standard

Other

50/Box=5Bag

Contact us