

DRAWING

A

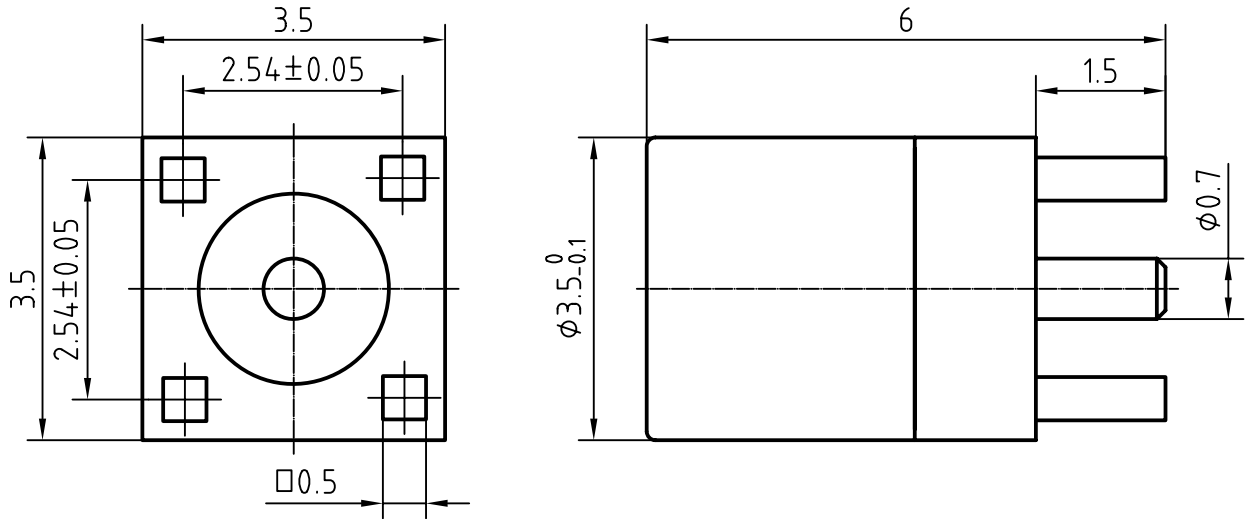
A

B

B

C

C



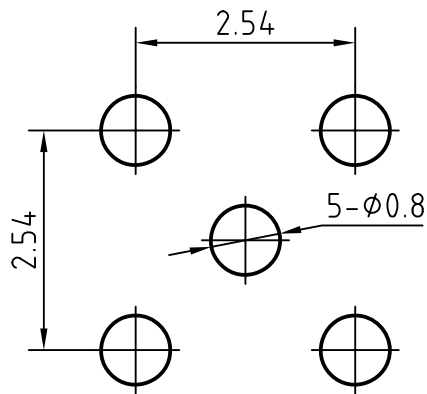
MOUNTING HOLE

D

D

E

E



3	1	Body	Brass/Gold plated	Gold 0.2um over Nickel 2um
2	1	Insulator	PTFE	
1	1	Center contact	Beryllium copper/Gold plated	Gold 0.5um over Nickel 2um

Designed by	Checked by	Approved by - date	File name	Date	Scale
			13-P215-1CQA		
				Edition	Sheet

CHARACTERISTICS

DESCRIPTION:

MMCX Type female str for PCB solder legs

Electrical data:

<i>Impedance:</i>	<i>50 ohm</i>
<i>Frequency range:</i>	<i>DC to 6 GHz</i>
<i>VSWR:</i>	$\leq 1.1 + 0.03 \times f \text{ [GHz]}$
<i>Insertion loss:</i>	$\leq 0.15 \times \sqrt{f \text{ [GHz]}} \text{ dB}$
<i>Insulation resistance:</i>	$\geq 1000 \text{ M}\Omega$
<i>Test voltage:</i>	<i>500 V rms</i>
<i>Working voltage:</i>	<i>170 V rms</i>
<i>Contact resistance:</i>	
1). <i>Centre contact:</i>	<i>10.0 mΩ</i>
2). <i>Outer conductor:</i>	<i>5.0 mΩ</i>
<i>RF leakage (measured at 1GHz):</i>	$\geq 70 \text{ dB}$

Environmental data:

<i>Temperature rating:</i>	<i>-65 ° C to +165 ° C</i>
<i>2002/95/EC (RoHS):</i>	<i>Compliant</i>

Mechanical data:

<i>Mating cycles:</i>	≥ 500
<i>Center contact captivation:</i>	$\geq 10 \text{ N(axial)}$
<i>Engagement force:</i>	$\leq 15 \text{ N}$
<i>Disengagement force:</i>	<i>6N~15N</i>

Suitable cables:

N/A