

# Coaxial Straight PCB Connector: 11-P215-2QA

## Description

Straight jack receptacle for PCB solder legs

## Interface standards

MIL-C-39012

## Technical Data

### Electrical Data

Impedance	50 $\Omega$
Interface frequency max.	6 GHz
VSWR	1.05+0.05 $\times$ f(GHz) max
Voltage rating	335 V(rms)
Test voltage	750 V(rms)
Contact resistance:	
Center conductor	$\leq$ 5 m $\Omega$
Out conductor	$\leq$ 2.5 m $\Omega$
Insulation resistance	$\geq$ 1000M $\Omega$

### Mechanical Data

Weight	1.0 g
Durability	500 Cycles

### Environmental Data

Operating Temperature	-65 $^{\circ}$ C to 165 $^{\circ}$ C
-----------------------	--------------------------------------

### Material Data

#### Piece Parts

Center contact	Beryllium copper
Body	Brass
Insulator	PTFE

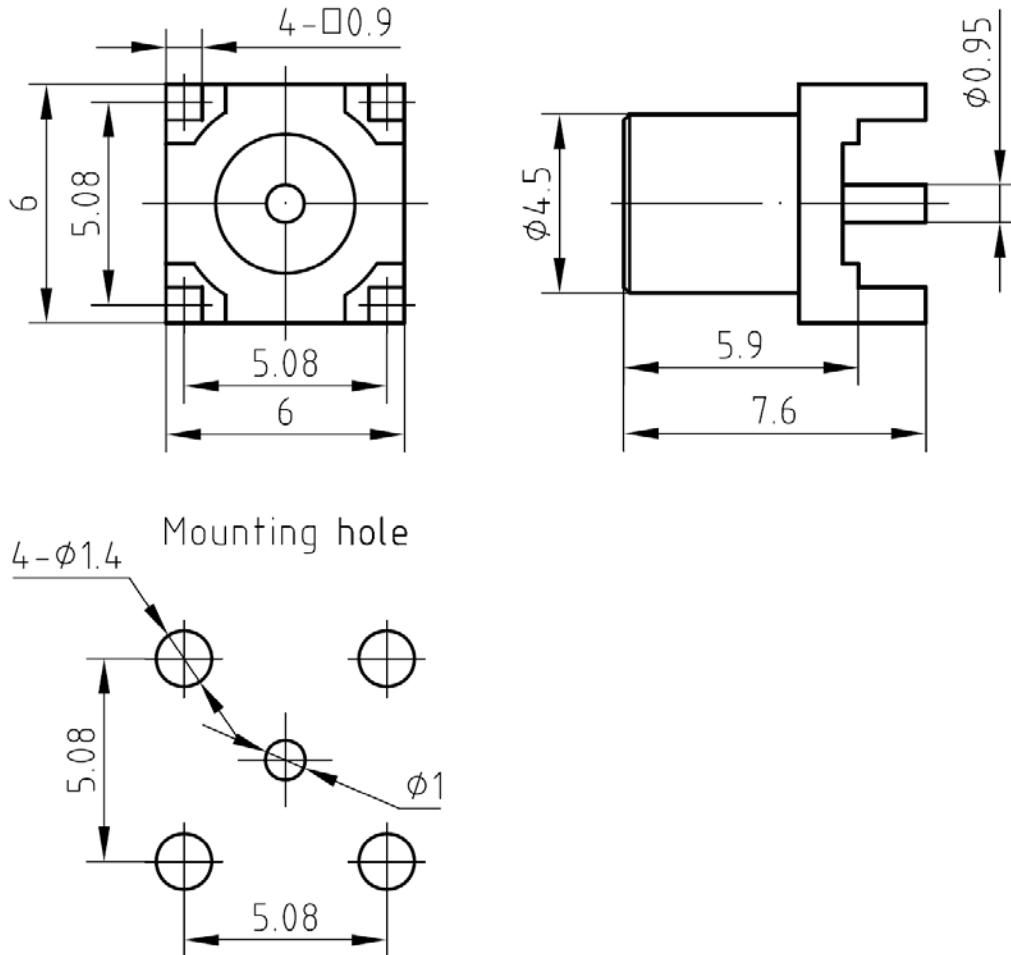
#### Surface Plating( $\mu$ m)

Gold 0.5 over Nickel 2.0
Gold 0.2 over Nickel 2.0



# Coaxial Straight PCB Connector: 11-P215-2QA

## Outline drawing



## Packaging

Standard

200/Box=20 Bag

Other

Contact us