

# Coaxial Straight PCB Connector: 11-P115-2QA

## Description

Straight plug receptacle for PCB solder legs

## Interface standards

MIL-C-39012



## Technical Data

### Electrical Data

Impedance	50 $\Omega$
Interface frequency max.	6 GHz
VSWR	1.05+0.05 $\times$ f(GHz) max
Voltage rating	335 V(rms)
Test voltage	750 V(rms)
Contact resistance:	
Center conductor	$\leq$ 5 m $\Omega$
Out conductor	$\leq$ 2.5 m $\Omega$
Insulation resistance	$\geq$ 1000M $\Omega$

### Mechanical Data

Weight	0.9 g
Durability	500 Cycles

### Environmental Data

Operating Temperature	-65 $^{\circ}$ C to 165 $^{\circ}$ C
-----------------------	--------------------------------------

### Material Data

#### Piece Parts

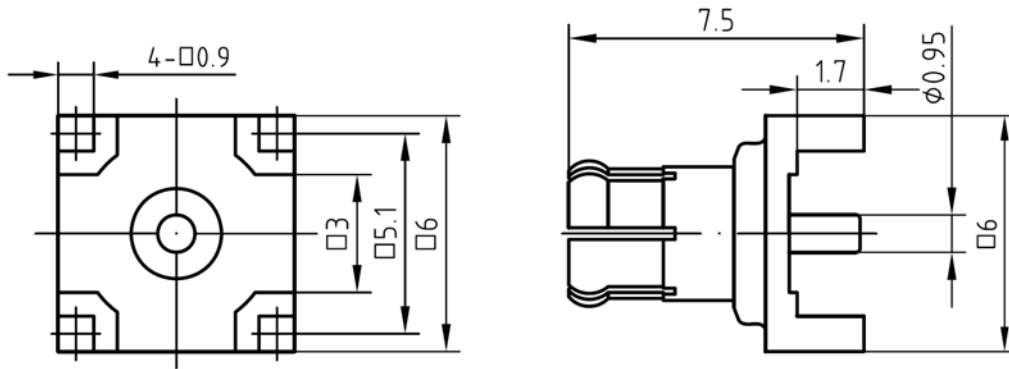
Center contact	Brass
Outer contact	Beryllium copper
Body	Brass
Insulator	PTFE

#### Surface Plating( $\mu$ m)

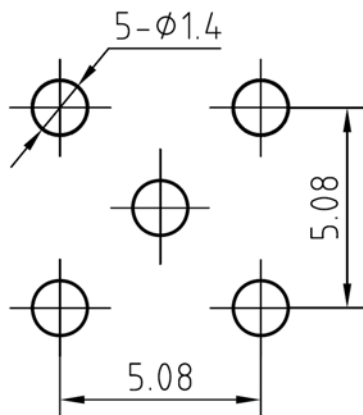
Center contact	Gold 0.5 over Nickel 2.0
Outer contact	Gold 0.5 over Nickel 2.0
Body	Gold 0.2 over Nickel 2.0

# Coaxial Straight PCB Connector: 11-P115-2QA

## Outline drawing



Mounting hole



## Packaging

Standard

200/Box=20 Bag

Other

Contact us