

## Coaxial Straight Flange Connector: 11-2452-22QA

### Description

Straight panel receptacle jack (female), flange mount

### Interface standards

MIL-C-39012

### Technical Data

#### Electrical Data

Impedance	50 $\Omega$
Interface frequency max.	6 GHz
VSWR	$1.05+0.05 \times f(\text{GHz})$ max
Voltage rating	335 V(rms)
Test voltage	750 V(rms)
Contact resistance:	
Center conductor	$\leq 5 \text{ m}\Omega$
Out conductor	$\leq 2.5 \text{ m}\Omega$
Insulation resistance	$\geq 1000 \text{ M}\Omega$

#### Mechanical Data

Weight	1.1 g
Durability	500 Cycles

#### Environmental Data

Operating Temperature	-65 °C to 165 °C
-----------------------	------------------

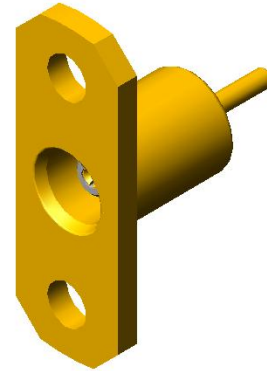
#### Material Data

##### Piece Parts

Center contact	Beryllium copper
Body	Brass
Insulator	PTFE

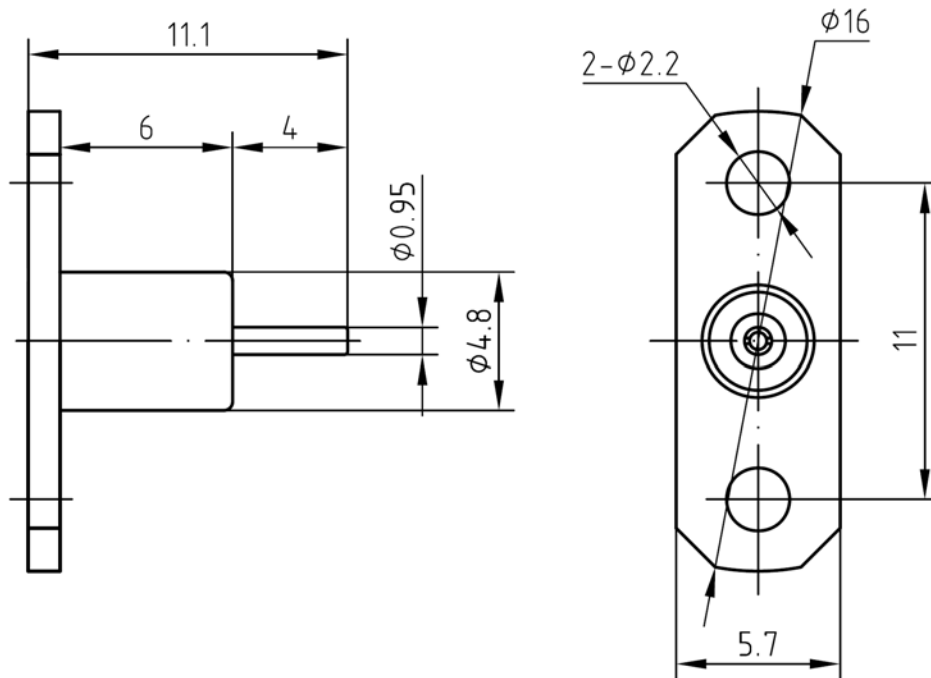
##### Surface Plating( $\mu\text{m}$ )

Gold 0.5 over Nickel 2.0
Gold 0.2 over Nickel 2.0



# Coaxial Straight Flange Connector: 11-2452-22QA

## Outline drawing



## Packaging

Standard

500/Box=10 Bag

Other

Contact us